

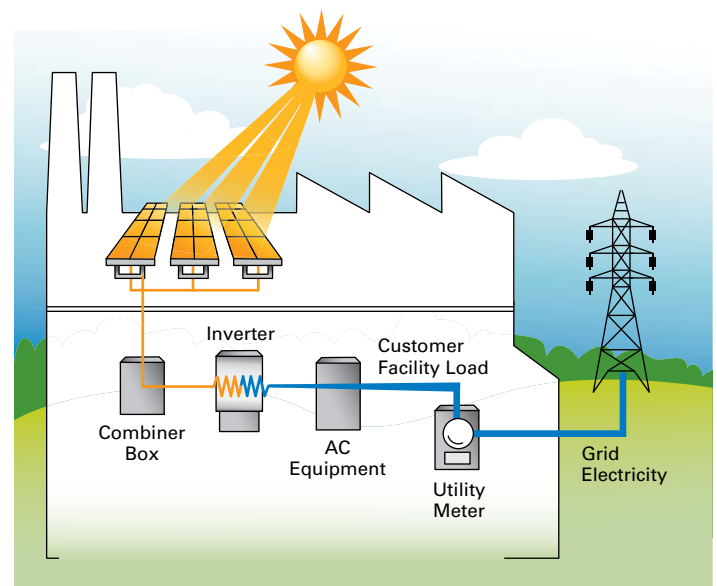
Convert the energy of the sun into electrical power



Photovoltaic (PV) systems convert the energy of the sun into electrical power that is fed directly into the electric grid. Within the balance of system (BOS), direct current (DC) circuit breakers protect the wiring connected from the PV modules to the combiner or the inverter, while also functioning as a disconnect.

Eaton is a global leader in circuit protection and brings this expertise to bear in the photovoltaic market. PVGard™ solar circuit breakers are part of a product family that combines a disconnect with overcurrent protection in one device to protect photovoltaic systems. PVGard breakers can replace fuses and disconnects in combiner box and inverter applications—saving space, streamlining purchasing and receiving, and reducing spare parts requirements.

There are two PVGard lineups to choose from—the industry-exclusive, 600 Vdc Per-Pole breakers and switches for residential and light commercial applications, and the 1000 Vdc Poles-in-Series breakers and switches for commercial and utility-scale solar systems.





PVGard 600 Vdc Per-Pole lineup

This breakthrough circuit breaker from Eaton will save significant space, time and cost. As a single circuit Per-Pole device, it allows space savings of up to 66% when compared to traditional poles-in-series disconnects, switches and breakers. In addition, it eliminates the need for jumpers for poles-in-series connection—saving on installation time and labor as well as inventory.

Features

- Meets and exceeds the standards of UL 489B for photovoltaic molded-case circuit breakers and molded-case switches
- Designed to meet higher voltage and lower fault current levels of solar systems
- 50 °C calibrated
- Tested to extreme ambient conditions from -40 to +90 °C
- Offers both 100% and 80% rated breakers
- Can handle bidirectional current flow
- Can be applied in grounded, ungrounded or bipolar systems
- Full complement of accessories for status, signaling, lockout/tagout and remote on/off operation
- Ability to open on signal from DC arc or ground fault detector
- Wide range of current ratings increases options for matching incoming strings
- Eliminates fuse stocking costs and matching issues

PVGard 1000 Vdc Poles-in-Series lineup

This 1000 Vdc Poles-in-Series lineup provides reliable and safe disconnect means and overcurrent protection in one combined solution for commercial and utility-scale PV systems. This solution does not require certain jumpers for poles in series connection to be a UL® 489B listed device, providing reliability and flexibility in design/installation. If needed, cost-effective, UL listed Eaton jumpers can be added separately.

Available accessories

- Auxiliary switch
- Shunt trip
- Electrical operator
- Alarm lockout
- Undervoltage release
- Terminals
- Lock-off devices
- End cap kits
- Rotary handle mechanisms
- Flexible shaft handle mechanisms

Optional modifications

- Freeze testing

Designed specifically for high- and low-temperature demands of PV installations, PVGard circuit breakers undergo extreme ambient cycling tests and carry a robust operating temperature range. Trip units calibrate at 50 °C ambient temperatures, ensuring continuous operation in higher temperature environments typical to solar.

Rigorous third-party testing includes limited and standard fault current tests, electrical and mechanical endurance, di-electric voltage withstand and temperature tests. Eaton's PVGard products are standalone devices that do not require jumpers to be UL 489B listed devices.

PVGard breakers are available with a full complement of accessories to provide string status, enable remote trip and on/off operation, and can be customized to site requirements. PVGard breakers conform to the UL 489B standard for photovoltaic molded-case circuit breakers and switches.

PVGard 600 Vdc photovoltaic circuit breakers

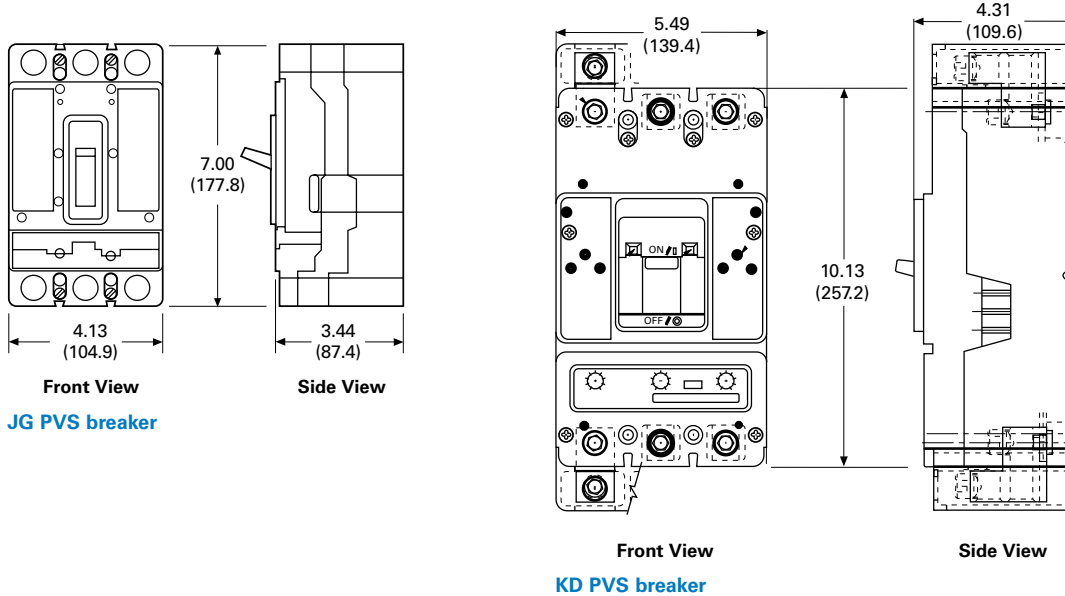
Description	Frame	
	JG PVS	KD PVS
Ratings		
Number of poles	3	3
Ampere range	90–250 A	100–400 A
Maximum voltage rating	600 Vdc	600 Vdc
Interrupting capacity at 600 Vdc	1.2 kA	3 kA
Design ambient temperature	50 °C	50 °C
Third-party certification	UL 489B	UL 489B
Suitable for reverse-feed applications	Yes	Yes
Terminations		
Al/Cu wire	TA250FJ: (1) #8–350 kcmil	TA300K: (1) #3–350 kcmil
	3TA251FJK1: (2) 2/0–(2) 4/0 ❶	TA350K: (1) 250–500 kcmil
	3TA251FJK2: (2) 2/0–(2) 4/0 ❷	TA403K: (2) 1/0–400 kcmil
Cu wire	T250FJ: (1) #4–350 kcmil	3TA402K: (1) 500–750 kcmil ❸
		T300K: (1) #3–350 kcmil

❶ Three terminals with terminal shield as a kit.

❷ Three terminals with two interphase barriers as a kit.

❸ Not UL 489B recognized size for maximum of 400 A breaker.

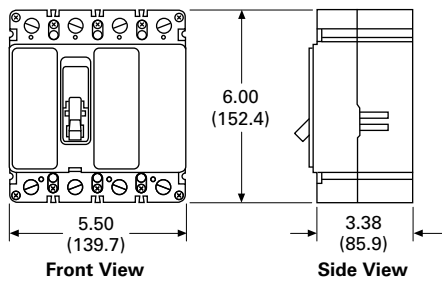
Dimensions in inches (mm)



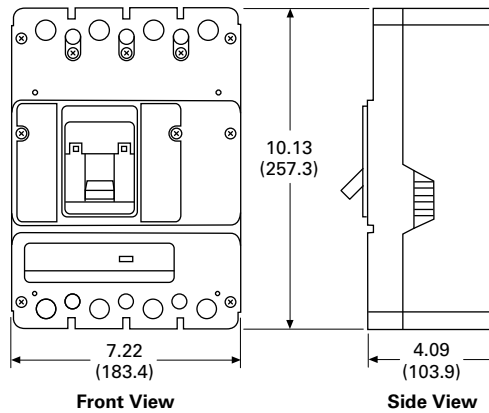
PVGard 1000 Vdc solar photovoltaic circuit breakers

Description	Frame			
	FD PV	KD PV	LG PV	MDL PV
Ratings				
Number of poles	4	4	4	3
Ampere range	30–100 A	125–350 A	250–400 A	300–600 A
Maximum voltage rating	1000 Vdc	1000 Vdc	1000 Vdc	1000 Vdc
Interrupting capacity at 1000 Vdc	3 kA	5 kA	5 kA	7.5 kA
Design ambient temperature	50 °C	50 °C	50 °C	50 °C
Third-party certification	UL 489B	UL 489B	UL 489B	UL 489B
Suitable for reverse-feed applications	Yes	Yes	Yes	Yes
Terminations				
Al/Cu wire	#6–300 kcmil	(2) 3/0–250 kcmil	(2) #2–500 kcmil	(3) 3/0–400 kcmil
Cu wire	#4–4/0 kcmil	(2) 3/0–250 kcmil	(2) #2–500 kcmil	(3) 3/0–300 kcmil

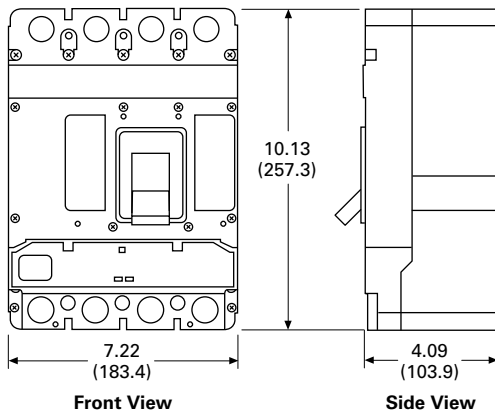
Dimensions in inches (mm)



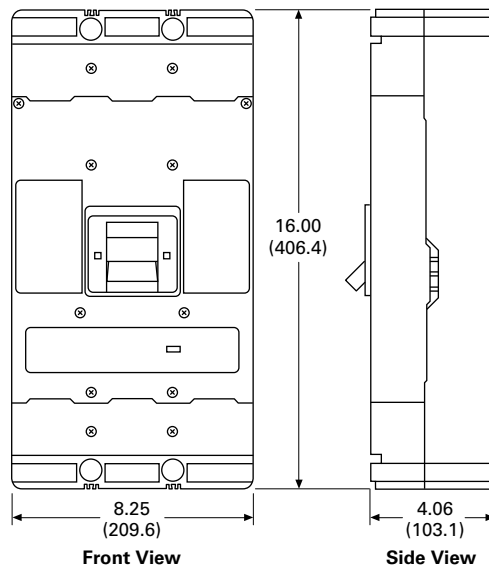
FD PV breaker



KD PV breaker



LG PV breaker



MDL PV breaker

Eaton
 1000 Eaton Boulevard
 Cleveland, OH 44122
 United States
 Eaton.com

© 2015 Eaton
 All Rights Reserved
 Printed in USA
 Publication No. PA01200011E / Z17119
 August 2015

Eaton is a registered trademark.

All other trademarks are property of their respective owners.

Follow us on social media to get the latest product and support information.

